



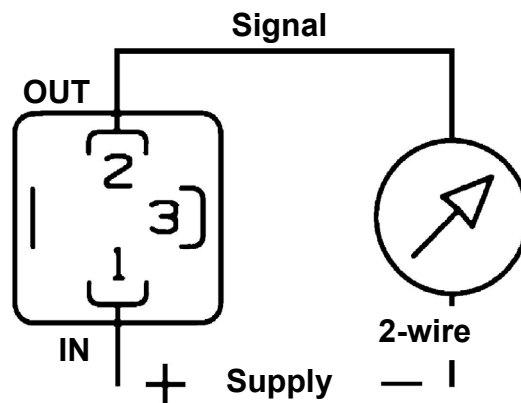
Electronic pressure sensor EDS

Electronic pressure control with relative pressure sensor for direct installation either on or within a device, G 1/4" connection, analogue output 4 – 20 mA and operating voltage supply 11 – 30 V DC. Electrical connection is effected in a straightforward and service-friendly manner - via a DIN 43650-A plug whereby a degree of protection IP 65 is realized. Function: the device converts the pressure applied to the sensor into a proportional DC current (2-wire technology).



The connection, commissioning and maintenance of the pressure switch must be under the guidance of appropriate personnel. Please note that for the construction and commissioning of electrical equipment relevant prevailing standards.

Circuit Diagrams EDS



Technical Data EDS

Technical operating data	
Permissible operating voltage range	± 10 %
Operating voltage influence at ± 10% operating voltage fluctuation	< 0.1 %
Duty factor ED	100 %
Permissible ambient and media temperature	15°C up to + 80°C
Permissible ambient humidity rel. humidity, non-condensing	10 % up to 90 %
Permissible storage temperature	-40° C up to + 80° C
Clearance and creepage distance	VDE 0110
Working position	any position
Power consumption	max. 1 VA

Pressure connection	
Permissible operating voltage range	± 10 %

Duty factor ED	
Permissible ambient and media temperature	15°C up to + 80°C

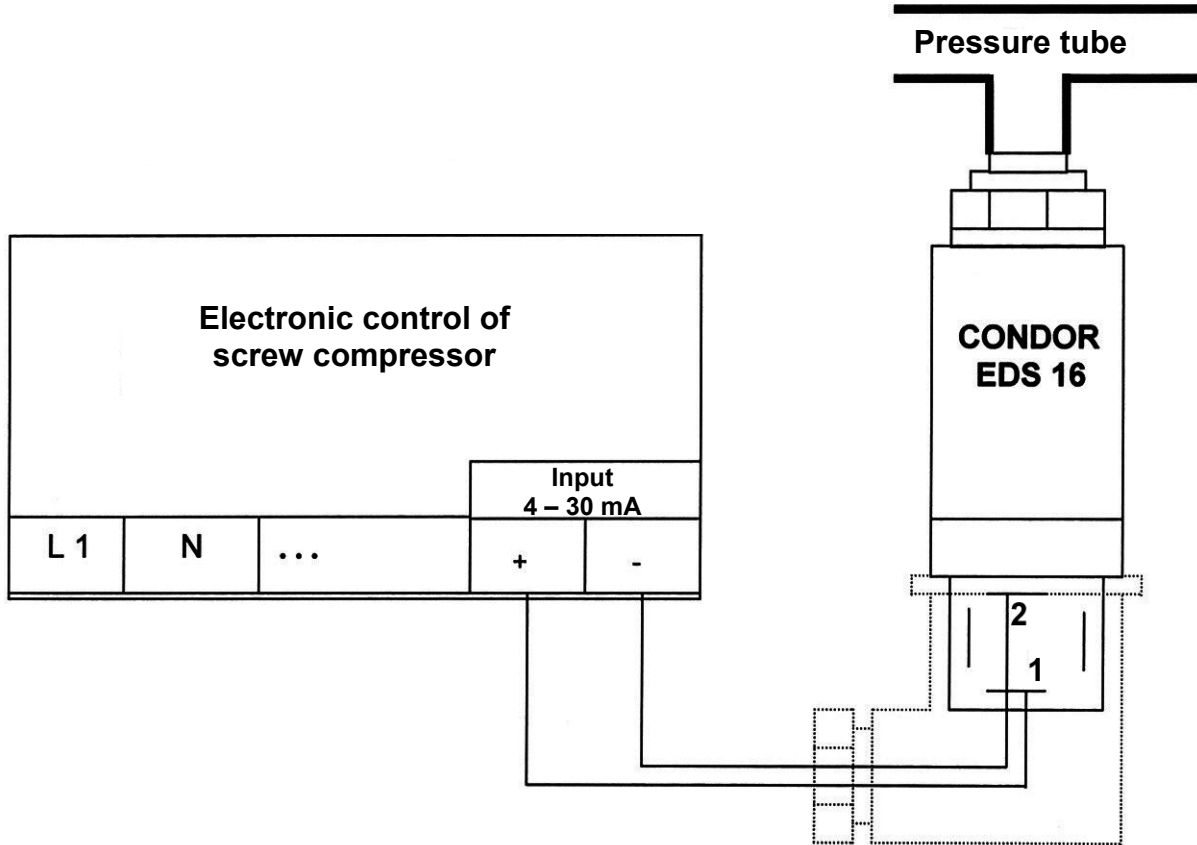
Permissible storage temperature	-40° C up to + 80° C
Clearance and creepage distances	VDE 0110
Working position	any position
Power consumption	max. 1 VA

Applications

The EDS 16 model is a pressure transducer that converts the applied pressure into an analogue output signal (4 - 20 mA), i.e. 4 mA current flows at a supply pressure of 0 bar (reason: failed loop detection) and 20 mA current flows at a pressure of 16 bar.

Various electronic control systems or analogue SPS input cards - in this example, the control electronics of a screw compressor - require the EDS model in order to detect the analogue actual value of compressed air. The two-wire technology (two wires between the electronics and transducer) has proven to be the best technical solution here.

Circuit Diagram, example



Condor Pressure Control GmbH

Warendorfer Straße 47 – 51
D-59320 Ennigerloh

Phone: +49 (0) 25 87 / 89 – 0
Telefax: +49 (0) 25 87 / 89 - 140

info@condor-cpc.com
www.condor-cpc.com